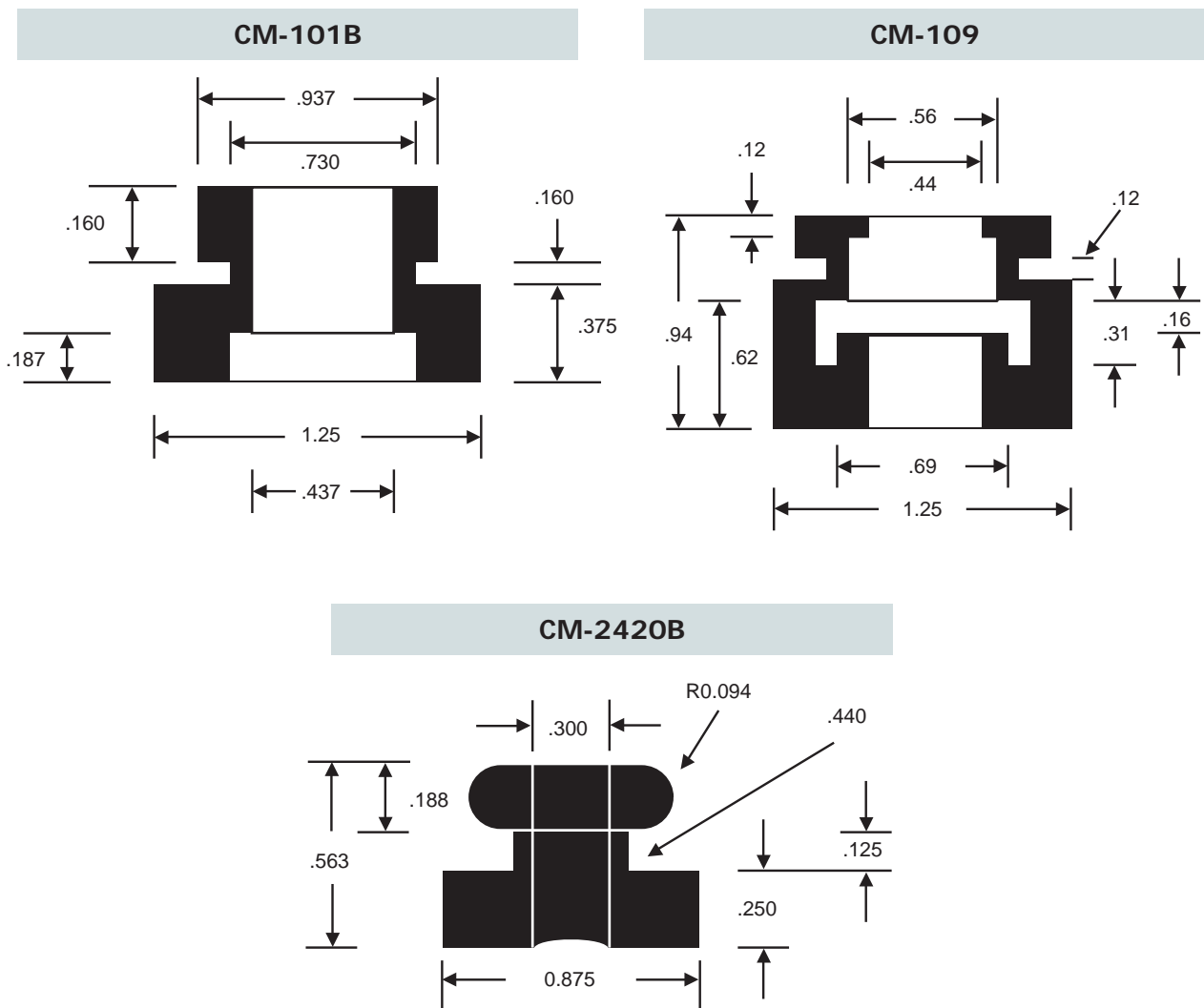




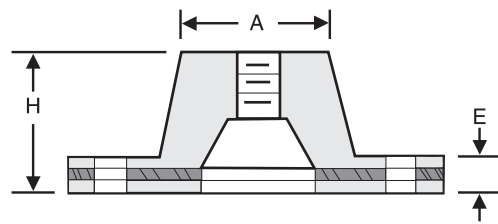
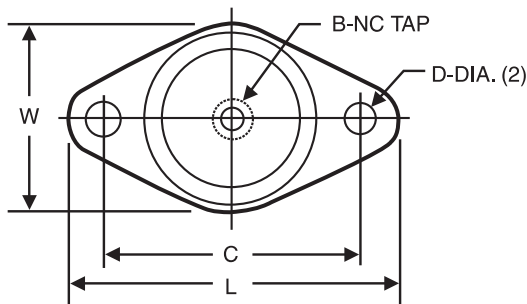
# VIBRATION, SHOCK AND MOTION CONTROL

## Compressor Mounts



Measured in inches

## Compression Mounts



\*Loads up to 4,000 lbs.  
Material: Neoprene and steel

| RPM Part Number | Max. Load* (lbs.) | L     | W     | H     | A     | B    | C     | D     | E    |
|-----------------|-------------------|-------|-------|-------|-------|------|-------|-------|------|
| CM-1-Blue       | 35                | 3-1/8 | 1-3/4 | 1-1/4 | 1-1/4 | 5/16 | 2-3/8 | 11/32 | 3/16 |
| CM-1-Black      | 45                | 3-1/8 | 1-3/4 | 1-1/4 | 1-1/4 | 5/16 | 2-3/8 | 11/32 | 3/16 |
| CM-1-Red        | 70                | 3-1/8 | 1-3/4 | 1-1/4 | 1-1/4 | 5/16 | 2-3/8 | 11/32 | 3/16 |
| CM-1-Green      | 120               | 3-1/8 | 1-3/4 | 1-1/4 | 1-1/4 | 5/16 | 2-3/8 | 11/32 | 3/16 |
| CM-2-Black      | 175               | 3-7/8 | 2-3/8 | 1-3/4 | 1-3/4 | 3/8  | 3     | 11/32 | 7/32 |
| CM-2-Red        | 250               | 3-7/8 | 2-3/8 | 1-3/4 | 1-3/4 | 3/8  | 3     | 11/32 | 7/32 |
| CM-2-Green      | 375               | 3-7/8 | 2-3/8 | 1-3/4 | 1-3/4 | 3/8  | 3     | 11/32 | 7/32 |

Measured in inches

# VIBRATION, SHOCK AND MOTION CONTROL

## Flex-Bolt Sandwich Mounts

Flex-Bolt Sandwich Mounts are designed to protect equipment and machinery against damaging vibration. This family of mounts has excellent capacity for energy control.

Constructed with high-strength bonds and specially compounded elastomers, these mounts provide high load-carrying capacity and assure long life.

The simple design and unitized construction provide low-cost mounting systems which are compact, lightweight, easy to install and maintenance-free.

These mounts are available in three size groups to suit a variety of applications. Small Flex-Bolt Sandwich Mounts are available in metric and standard (UNC) threads.

Typical applications for Flex-Bolt Sandwich Mounts include business machines, motorcycles, heating, ventilating and air conditioning equipment, light motors, appliances, shipping containers, feeders, compactors and vibratory rollers.

### Features and Benefits:

- Economical
- Compact and lightweight
- Easy to install
- Maintenance-free
- Three size groups: small, medium and large
- Unitized construction

| Part Number    | Type | Elastomer * | Shear               |    |                   |      | Compression         |     |                   |      |
|----------------|------|-------------|---------------------|----|-------------------|------|---------------------|-----|-------------------|------|
|                |      |             | Maximum Static Load |    | Spring Rate $K_S$ |      | Maximum Static Load |     | Spring Rate $K_C$ |      |
|                |      |             | lbs                 | N  | lbs/in            | N/mm | lbs                 | N   | lbs/in            | N/mm |
| SMB003-0100-1  | 1    | NR          | 1                   | 4  | 18                | 3    | 7                   | 31  | 100               | 18   |
| SMB003-0100-2  | 1    | NR          | 1.5                 | 7  | 26                | 5    | 10                  | 44  | 138               | 24   |
| SMB003-0100-7  | 1    | OR          | 1.5                 | 7  | 26                | 5    | 10                  | 44  | 180               | 32   |
| SMB003-0100-3  | 1    | NR          | 2                   | 9  | 40                | 7    | 13                  | 58  | 200               | 35   |
| SMB003-0100-8  | 1    | OR          | 2                   | 9  | 40                | 7    | 13                  | 58  | 200               | 35   |
| SMB003-0100-43 | 1    | OR          | 2.5                 | 11 | 30                | 5    | 11                  | 49  | 143               | 25   |
| SMB003-0100-42 | 1    | OR          | 2.5                 | 11 | 30                | 5    | 11                  | 49  | 143               | 25   |
| SMB003-0100-9  | 1    | OR          | 3                   | 13 | 50                | 9    | 17                  | 76  | 285               | 50   |
| SMB003-0200-6  | 2    | OR          | 1                   | 4  | 28                | 5    | 6                   | 27  | 190               | 33   |
| SMB003-0200-9  | 2    | OR          | 3                   | 13 | 120               | 21   | 11                  | 49  | 360               | 63   |
| SMB003-0100-12 | 1    | OR          | 4                   | 18 | 375               | 66   | 25                  | 111 | 2000              | 350  |
| SMB006-0100-2  | 1    | NR          | 5                   | 22 | 55                | 10   | 35                  | 156 | 325               | 57   |
| SMB006-0100-7  | 1    | OR          | 5                   | 22 | 55                | 10   | 35                  | 156 | 325               | 57   |
| SMB006-0100-4  | 1    | NR          | 9                   | 40 | 105               | 18   | 60                  | 267 | 540               | 95   |
| SMB006-0100-9  | 1    | OR          | 9                   | 40 | 105               | 18   | 60                  | 267 | 700               | 123  |
| SMB006-0200-6  | 2    | OR          | 4                   | 18 | 90                | 16   | 17                  | 76  | 510               | 89   |
| SMB006-0200-9  | 2    | OR          | 7                   | 31 | 180               | 32   | 35                  | 156 | 1020              | 179  |
| J-4624-109     | 1    | OR          | 3                   | 13 | 28                | 5    | 28                  | 125 | 195               | 34   |
| J-4624-43      | 2    | NR          | 4                   | 18 | 130               | 23   | 18                  | 80  | 565               | 99   |
| J-4624-19      | 1    | NR          | 6                   | 27 | 55                | 10   | 36                  | 160 | 320               | 56   |

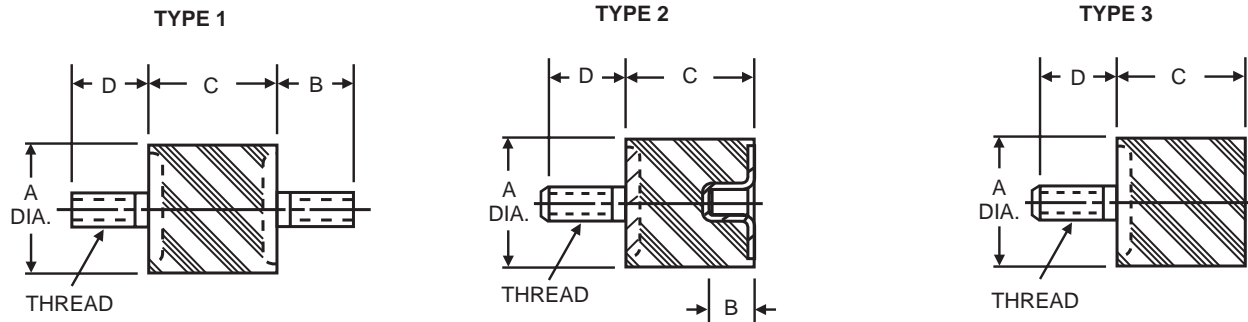
# VIBRATION, SHOCK AND MOTION CONTROL

| Part Number | Type | Elastomer * | Shear               |     |                   |      | Compression         |      |                   |      |
|-------------|------|-------------|---------------------|-----|-------------------|------|---------------------|------|-------------------|------|
|             |      |             | Maximum Static Load |     | Spring Rate $K_S$ |      | Maximum Static Load |      | Spring Rate $K_C$ |      |
|             |      |             | lbs                 | N   | lbs/in            | N/mm | lbs                 | N    | lbs/in            | N/mm |
| J-4624-57   | 1    | NR          | 6                   | 27  | 55                | 10   | 36                  | 160  | 320               | 56   |
| J-4624-479  | 2    | OR          | 8                   | 36  | 230               | 40   | 44                  | 196  | 1000              | 175  |
| J-4624-165  | 2    | NR          | 9                   | 40  | 185               | 32   | 35                  | 156  | 765               | 134  |
| J-4624-1    | 1    | OR          | 12                  | 53  | 105               | 18   | 64                  | 285  | 620               | 109  |
| J-4624-14   | 1    | OR          | 12                  | 53  | 105               | 18   | 64                  | 285  | 620               | 109  |
| J-4624-27   | 1    | OR          | 12                  | 53  | 105               | 18   | 64                  | 285  | 620               | 109  |
| J-4624-119  | 1    | OR          | 12                  | 53  | 105               | 18   | 64                  | 285  | 620               | 109  |
| J-4624-23   | 1    | OR          | 17                  | 76  | 180               | 18   | 110                 | 489  | 940               | 165  |
| J-4624-63   | 1    | OR          | 22                  | 98  | 200               | 35   | 135                 | 601  | 1200              | 210  |
| J-4624-13   | 1    | OR          | 22                  | 98  | 200               | 35   | 135                 | 601  | 1200              | 210  |
| J-4624-3    | 1    | OR          | 22                  | 98  | 300               | 53   | 135                 | 601  | 1470              | 257  |
| J-4624-45   | 1    | OR          | 22                  | 98  | 200               | 35   | 135                 | 601  | 1200              | 210  |
| J-4624-545  | 2    | OR          | 22                  | 98  | 500               | 53   | 135                 | 601  | 2100              | 368  |
| J-4624-32   | 1    | OR          | 29                  | 129 | 260               | 46   | 200                 | 890  | 1800              | 315  |
| J-4624-351  | 1    | OR          | 29                  | 129 | 260               | 46   | 200                 | 890  | 1800              | 315  |
| J-4624-10   | 2    | NR          | 40                  | 178 | 750               | 131  | 168                 | 747  | 4200              | 735  |
| J-4624-7    | 3    | NR          | —                   | —   | —                 | —    | 30                  | 133  | 400               | 70   |
| J-4624-2    | 3    | OR          | —                   | —   | —                 | —    | 90                  | 400  | 750               | 131  |
| J-11729-123 | 1    | NR          | 20                  | 89  | 150               | 26   | 180                 | 801  | 950               | 166  |
| J-11729-126 | 1    | OR          | 25                  | 111 | 185               | 32   | 190                 | 845  | 1000              | 175  |
| J-11729-169 | 1    | NR          | 30                  | 133 | 125               | 22   | 225                 | 1001 | 900               | 158  |
| J-11729-124 | 1    | NR          | 35                  | 156 | 320               | 56   | 300                 | 1334 | 1715              | 300  |
| J-11729-127 | 1    | OR          | 35                  | 156 | 320               | 56   | 300                 | 1334 | 1600              | 280  |
| J-11729-125 | 1    | NR          | 50                  | 222 | 380               | 67   | 420                 | 1868 | 2000              | 350  |
| J-11729-177 | 2    | OR          | 20                  | 89  | 225               | 39   | 60                  | 267  | 900               | 158  |
| J-11729-187 | 2    | OR          | 22                  | 98  | 320               | 56   | 100                 | 445  | 2050              | 359  |
| J-11729-190 | 2    | NR          | 25                  | 111 | 110               | 19   | 120                 | 534  | 500               | 88   |
| J-11729-195 | 3    | OR          | —                   | —   | —                 | —    | 250                 | 1112 | 1820              | 319  |

\* NR = Natural Rubber  
 OR = Oil Resistant Elastomer – Neoprene

# VIBRATION, SHOCK AND MOTION CONTROL

## Flex-Bolt Sandwich Mounts



| Part Number    | Part Dimensions |      |     |      |     |      |     |      | Bolt Information |                    |
|----------------|-----------------|------|-----|------|-----|------|-----|------|------------------|--------------------|
|                | A               |      | B   |      | C   |      | D   |      | Thread Size      | Grade per SAE J429 |
|                | in              | mm   | in  | mm   | in  | mm   | in  | mm   |                  |                    |
| SMB003-0100-1  | .38             | 9.7  | .38 | 9.7  | .50 | 12.7 | .38 | 9.7  | 8-32             | 1                  |
| SMB003-0100-2  | .38             | 9.7  | .38 | 9.7  | .50 | 12.7 | .38 | 9.7  | 8-32             | 1                  |
| SMB003-0100-7  | .38             | 9.7  | .38 | 9.7  | .50 | 12.7 | .38 | 9.7  | 8-32             | 1                  |
| SMB003-0100-3  | .38             | 9.7  | .38 | 9.7  | .50 | 12.7 | .38 | 9.7  | 8-32             | 1                  |
| SMB003-0100-8  | .38             | 9.7  | .38 | 9.7  | .50 | 12.7 | .38 | 9.7  | 8-32             | 1                  |
| SMB003-0100-43 | .38             | 9.7  | .38 | 9.7  | .50 | 12.7 | .38 | 9.7  | 6-32             | 1                  |
| SMB003-0100-42 | .38             | 9.7  | .38 | 9.7  | .50 | 12.7 | .38 | 9.7  | 10-32            | 1                  |
| SMB003-0100-9  | .38             | 9.7  | .38 | 9.7  | .50 | 12.7 | .38 | 9.7  | 8-32             | 1                  |
| SMB003-0200-6  | .38             | 9.7  | .19 | 4.8  | .50 | 12.7 | .38 | 9.7  | 8-32             | 1                  |
| SMB003-0200-9  | .38             | 9.7  | .19 | 4.8  | .50 | 12.7 | .38 | 9.7  | 8-32             | 1                  |
| SMB003-0100-12 | .38             | 9.7  | .38 | 9.7  | .25 | 6.4  | .38 | 9.7  | 8-32             | 1                  |
| SMB006-0100-2  | .62             | 15.7 | .50 | 12.7 | .62 | 15.7 | .50 | 12.7 | 1/4-20           | 1                  |
| SMB006-0100-7  | .62             | 15.7 | .50 | 12.7 | .62 | 15.7 | .50 | 12.7 | 1/4-20           | 1                  |
| SMB006-0100-4  | .62             | 15.7 | .50 | 12.7 | .62 | 15.7 | .50 | 12.7 | 1/4-20           | 1                  |
| SMB006-0100-9  | .62             | 15.7 | .50 | 12.7 | .62 | 15.7 | .50 | 12.7 | 1/4-20           | 1                  |
| SMB006-0200-6  | .62             | 15.7 | .25 | 6.4  | .62 | 15.7 | .50 | 12.7 | 1/4-20           | 1                  |
| SMB006-0200-9  | .62             | 15.7 | .25 | 6.4  | .62 | 15.7 | .50 | 12.7 | 1/4-20           | 1                  |
| J-4624-109     | 1.0             | 25.4 | .38 | 9.7  | .75 | 19.1 | .38 | 9.7  | 1/4-20           | 1                  |
| J-4624-43      | 1.0             | 25.4 | .25 | 6.4  | .25 | 19.1 | .38 | 9.7  | 1/4-20           | 1                  |
| J-4624-19      | 1.0             | 25.4 | .38 | 9.7  | .75 | 19.1 | .38 | 9.7  | 1/4-20           | 1                  |
| J-4624-57      | 1.0             | 25.4 | .62 | 15.7 | .75 | 19.1 | .62 | 15.7 | 5/16-18          | 1                  |
| J-4624-479     | 1.0             | 25.4 | .25 | 6.4  | .75 | 19.1 | .50 | 12.7 | 1/4-20           | 1                  |
| J-4624-165     | 1.0             | 25.4 | .25 | 6.4  | .75 | 19.1 | .62 | 15.7 | 1/4-20           | 1                  |
| J-4624-1       | 1.0             | 25.4 | .38 | 9.7  | .75 | 19.1 | .38 | 9.7  | 1/4-20           | 1                  |
| J-4624-14      | 1.0             | 25.4 | .50 | 12.7 | .75 | 19.1 | .50 | 12.7 | 1/4-20           | 1                  |
| J-4624-27      | 1.0             | 25.4 | .75 | 19.1 | .75 | 19.1 | .75 | 19.1 | 1/4-20           | 1                  |
| J-4624-119     | 1.0             | 25.4 | .88 | 22.4 | .75 | 19.1 | .50 | 12.7 | 5/16-18          | 1                  |
| J-4624-23      | 1.0             | 25.4 | .62 | 15.7 | .75 | 19.1 | .62 | 15.7 | 1/4-20           | 1                  |
| J-4624-63      | 1.0             | 25.4 | .75 | 19.1 | .75 | 19.1 | .50 | 12.7 | 1/4-20           | 1                  |
| J-4624-13      | 1.0             | 25.4 | .50 | 12.7 | .75 | 19.1 | .50 | 12.7 | 5/16-18          | 1                  |
| J-4624-3       | 1.0             | 25.4 | .88 | 22.4 | .75 | 19.1 | .50 | 12.7 | 5/16-18          | 1                  |
| J-4624-45      | 1.0             | 25.4 | .75 | 19.1 | .75 | 19.1 | .75 | 19.1 | 5/16-18          | 1                  |
| J-4624-545     | 1.0             | 25.4 | .25 | 6.4  | .75 | 19.1 | .50 | 12.7 | 5/16-18          | 1                  |
| J-4624-32      | 1.0             | 25.4 | .50 | 12.7 | .75 | 19.1 | .50 | 12.7 | 1/4-20           | 1                  |

# VIBRATION, SHOCK AND MOTION CONTROL

| Part Number | Part Dimensions |      |     |      |     |      |     |      | Bolt Information |                    |
|-------------|-----------------|------|-----|------|-----|------|-----|------|------------------|--------------------|
|             | A               |      | B   |      | C   |      | D   |      | Thread Size      | Grade per SAE J429 |
|             | in              | mm   | in  | mm   | in  | mm   | in  | mm   |                  |                    |
| J-4624-351  | 1.0             | 25.4 | .50 | 12.7 | .75 | 19.1 | .50 | 12.7 | 5/16-18          | 1                  |
| J-4624-10   | 1.0             | 25.4 | .25 | 6.4  | .75 | 19.1 | .38 | 9.7  | 1/4-20           | 1                  |
| J-4624-7    | 1.0             | 25.4 | —   | —    | .69 | 17.5 | .38 | 9.7  | 1/4-20           | 1                  |
| J-4624-2    | 1.0             | 25.4 | —   | —    | .69 | 17.5 | .38 | 9.7  | 1/4-20           | 1                  |
| J-11729-123 | 1.5             | 38.1 | .75 | 19.1 | 1.0 | 25.4 | .75 | 19.1 | .38-16           | 1                  |
| J-11729-126 | 1.5             | 38.1 | .75 | 19.1 | 1.0 | 25.4 | .75 | 19.1 | .38-16           | 1                  |
| J-11729-169 | 1.5             | 38.1 | .75 | 19.1 | 1.5 | 38.1 | .75 | 19.1 | .38-16           | 1                  |
| J-11729-124 | 1.5             | 38.1 | .75 | 19.1 | 1.0 | 25.4 | .75 | 19.1 | .38-16           | 1                  |
| J-11729-127 | 1.5             | 38.1 | .75 | 19.1 | 1.0 | 25.4 | .75 | 19.1 | .38-16           | 1                  |
| J-11729-125 | 1.5             | 38.1 | .75 | 19.1 | 1.0 | 25.4 | .75 | 19.1 | .38-16           | 1                  |
| J-11729-177 | 1.5             | 38.1 | .38 | 9.7  | 1.0 | 25.4 | .75 | 19.1 | .38-16           | 1                  |
| J-11729-187 | 1.5             | 38.1 | .38 | 9.7  | 1.0 | 25.4 | .75 | 19.1 | .38-16           | 1                  |
| J-11729-190 | 1.5             | 38.1 | .38 | 9.7  | 1.5 | 38.1 | .75 | 19.1 | .38-16           | 1                  |
| J-11729-195 | 1.5             | 38.1 | —   | —    | 1.0 | 25.4 | .75 | 19.1 | .38-16           | 1                  |

RPM Mechanical Inc. is an authorized distributor of **LORD**, vibration, shock and motion control products.

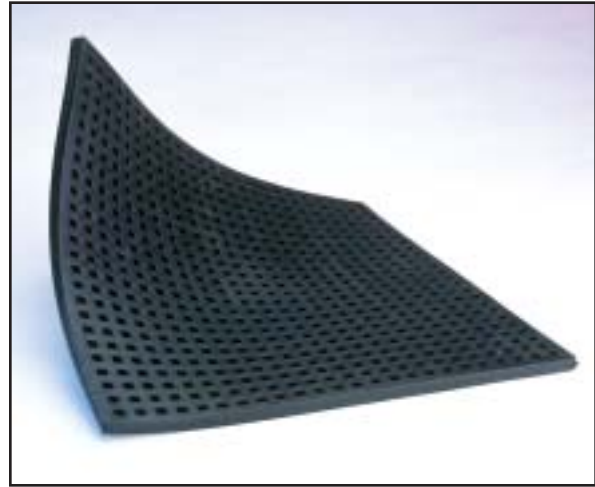
# VIBRATION, SHOCK AND MOTION CONTROL

## Anti-Vibration Pads

An easy and inexpensive way to isolate vibration and reduce the noise level of machinery and equipment. Recommended for maximum loads of 200 psi.

**Note:** Allow 1/2" margin on all sides around feet of machine when installing.

| RPM Part Number | Material | Load Range (psi) | Size (inches)  |
|-----------------|----------|------------------|----------------|
| WAFFLE PAD-101  | Neoprene | 50 - 200         | 18 x 18 x 1/2  |
| WAFFLE PAD-102  | Neoprene | 10 - 50          | 18 x 18 x 5/16 |



Waffled both sides

### UNABLE TO FIND THE PART YOU REQUIRE?

Contact our customer service representative for information on the many additional standard or custom parts we have available.